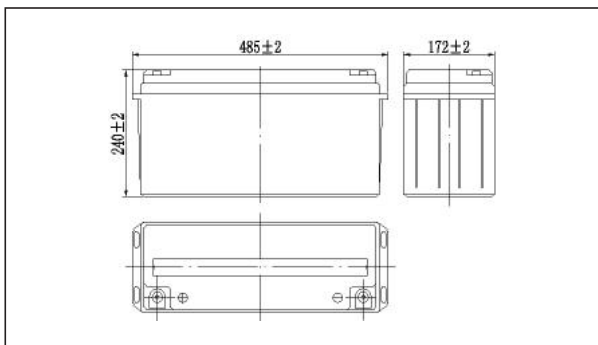


## TYG12-150Ah 12V150Ah

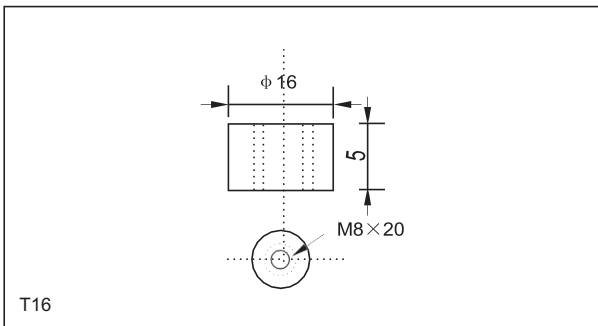
### Specifications

Nominal Voltage		12V
Rated capacity (10 hour rate)		150Ah
Dimensions	Length	485±2mm(19.09inch)
	Width	172±2mm(6.77inch)
	Height	240±2mm(9.45inch)
	Total Height	240±2mm(9.45inch)
Approx. Weight		41.5kg(91.3lbs)±3%

### Outer dimensions (mm)



### Terminal Type (mm)



### Characteristics

Capacity (25°C)	20HR(10.8V)	150Ah
	10HR(10.8V)	140Ah
	1HR(10.5V)	80Ah
Terminal type		T16
Internal resistance (Fully charged, 25°C)		Approx. 3.8mΩ
Capacity affected by temperature (10HR)	40°C	102%
	25°C	100%
	0°C	85%
	-15°C	65%
Self-discharge (25°C)	3 months	Remaining Capacity: 91%
	6 months	Remaining Capacity: 82%
	12 months	Remaining Capacity: 65%
Nominal operating temperature		25°C ± 3°C (77°F ± 5°F)
Operating temperature range	Discharge	-15°C ~ 50°C (5°F ~ 122°F)
	Charge	-10°C ~ 50°C (14°F ~ 122°F)
	Storage	-20°C ~ 50°C (-4°F ~ 122°F)
Float charging voltage (25°C)		13.50 to 13.80V Temperature compensation: -18mV/°C
Cyclic charging voltage (25°C)		14.40 to 14.70V Temperature compensation: -30mV/°C
Maximum charging current		30A
Maximum discharge current		1135A (5 sec.)
Designed floating life (20°C)		10 years

### Construction

Component	Positive plate	Negative plate	Container	Cover	Separator	Electrolyte	Safety valve	Terminal
Raw material	Lead dioxide	Lead	ABS	ABS	AGM	Gel	Rubber	Copper

### Constant Current Discharge Characteristics Unit: A (25°C, 77°F)

F.V/Time	10m i n	15min	30min	60min	2h	3h	4h	5h	8h	10h	20h
9.60V	277	227	138	84.9	51.7	36.8	28.9	24.5	17.4	14.4	7.64
9.90V	268	221	135	83.7	51.4	36.6	28.7	24.4	17.3	14.3	7.63
10.2V	257	213	130	81.6	51.0	36.3	28.5	24.3	17.1	14.3	7.60
10.5V	245	206	127	79.1	50.2	36.2	28.3	24.1	17.0	14.2	7.56
10.8V	232	194	123	76.5	48.9	35.4	27.5	23.3	16.5	14.1	7.50

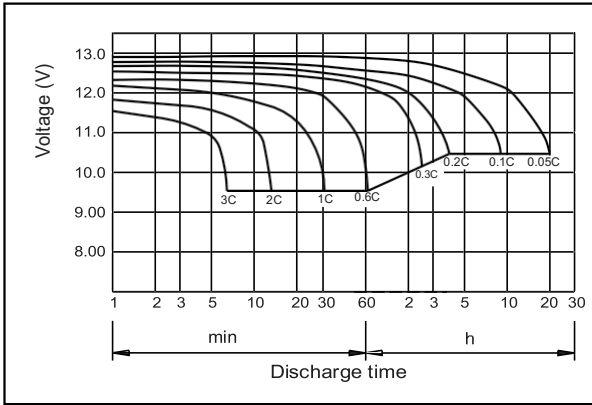
### Constant Power Discharge Characteristics Unit: A (25°C, 77°F)

F.V/Time	10min	15min	30min	60min	2h	3h	4h	5h	8h	10h	20h
9.60V	2982	2487	1542	969	599	433	340	290	206	172	91.7
9.90V	2892	2428	1510	954	596	430	338	289	205	172	91.5
10.2V	2773	2338	1464	930	590	428	335	287	203	171	91.2
10.5V	2655	2258	1428	901	582	425	333	284	202	170	90.7
10.8V	2505	2139	1376	871	566	416	323	276	195	169	90.1

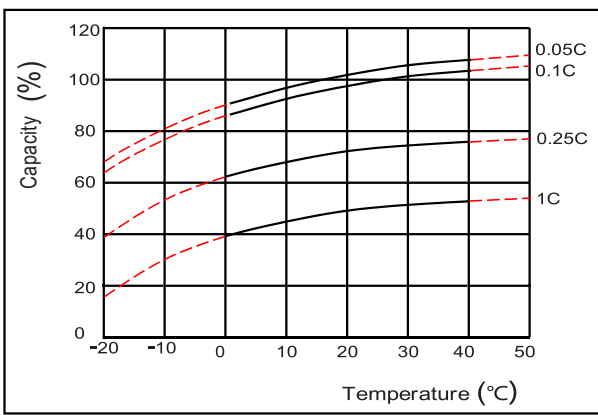
Note: The above characteristics data can be obtained within three charge or discharge cycles.

# TYG12-150Ah 12V150Ah

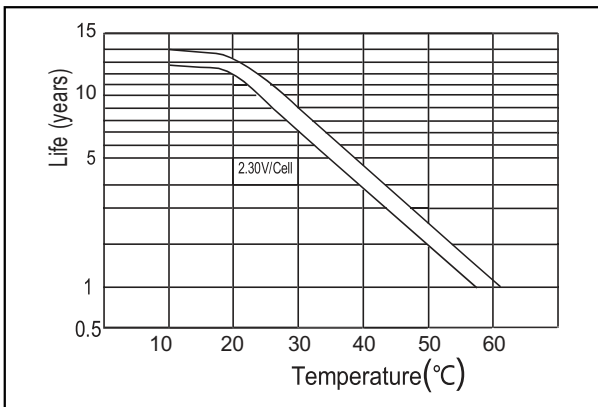
## Discharge characteristics(25°C)



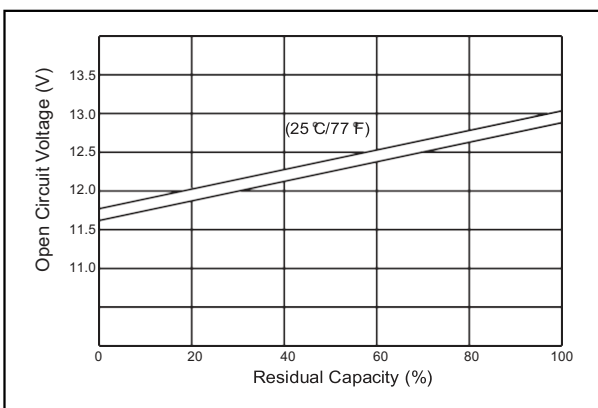
## Temperature effects on Capacity



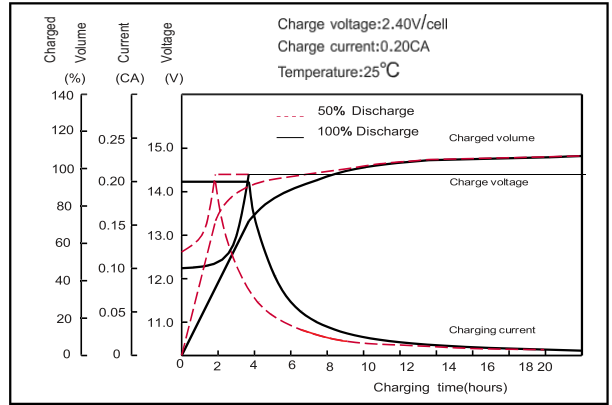
## Floating life on Temperature



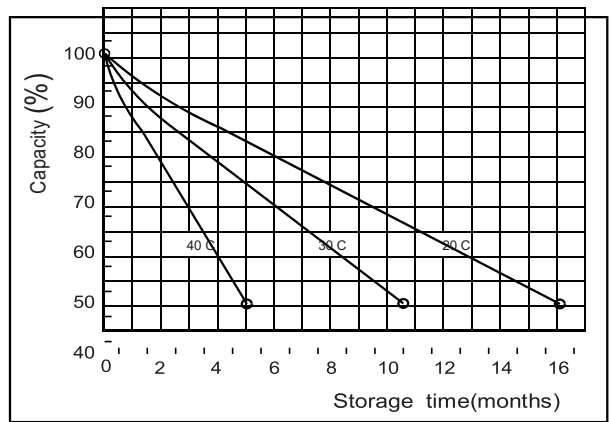
## The relationship for OCV and Capacity (25°C)



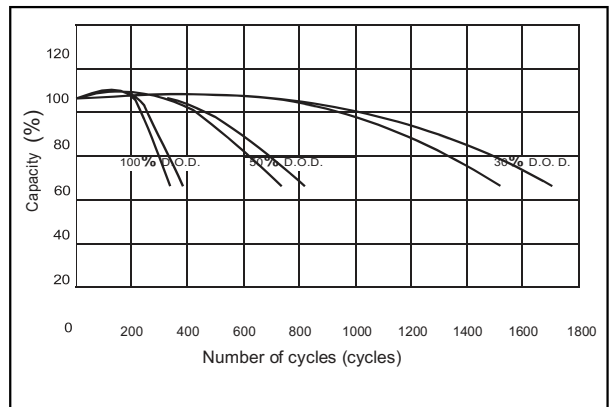
## Charging characteristics (25°C)



## Self-discharge characteristics



## Cycle life on D.O.D (25°C)



## The relationship for Charging voltage and Temperature

